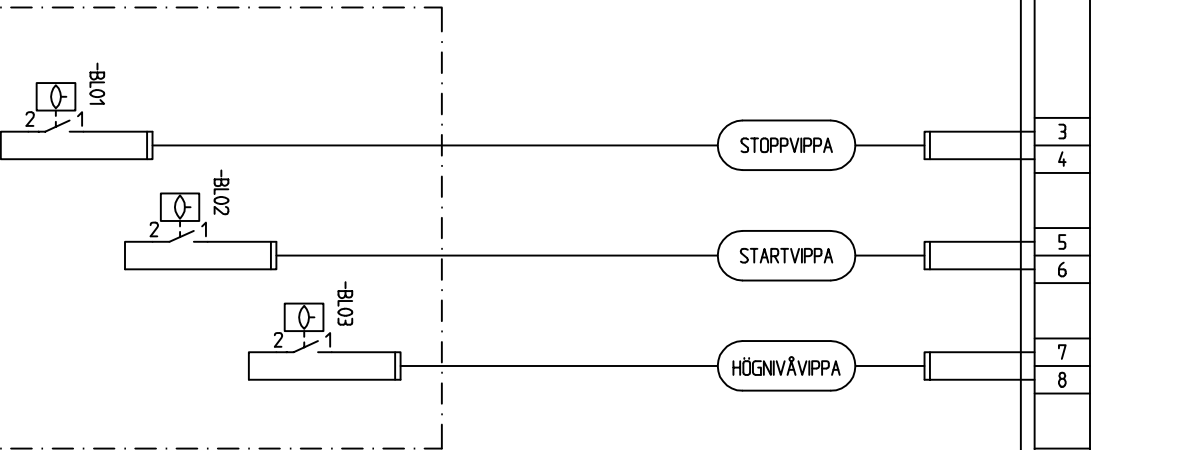
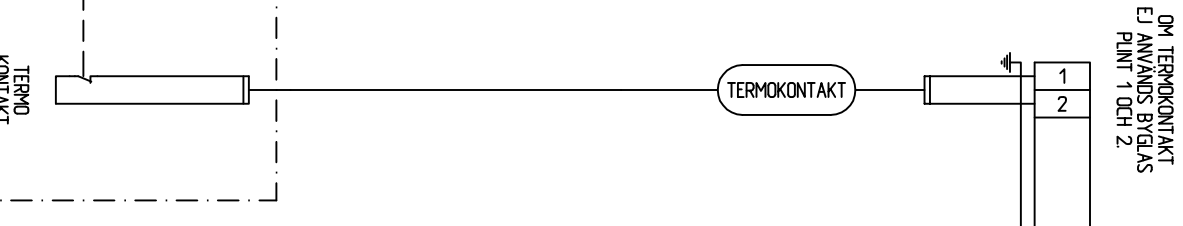
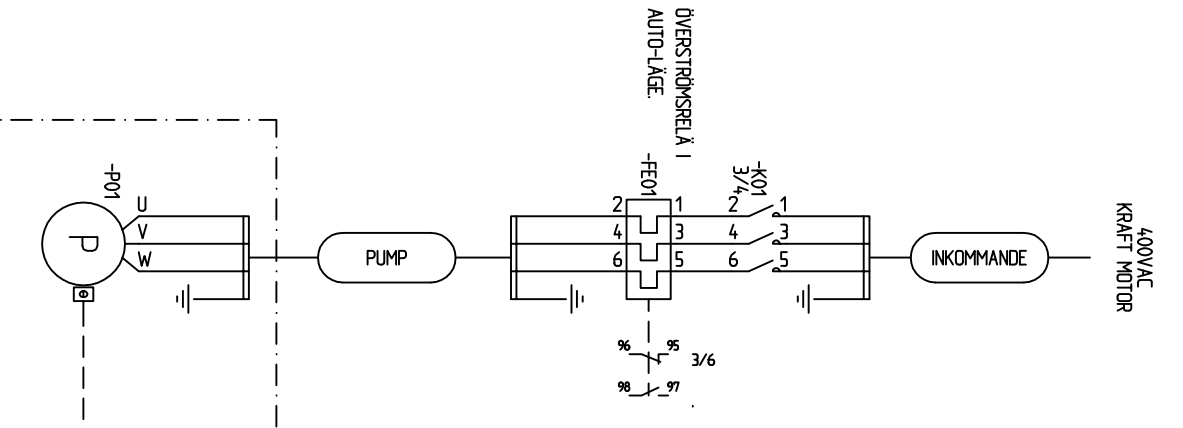
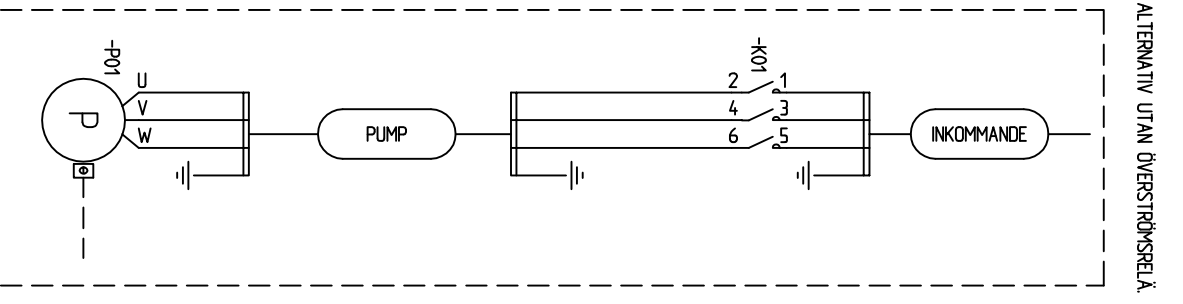
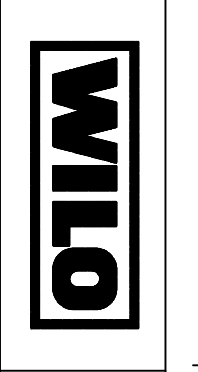




1	2	3	4	5	6	7	8	9	10
---	---	---	---	---	---	---	---	---	----



A	Kablar vippar, termok. ej med jord.	JSn	04/09/10
NO.	REVISION	SIGN.	DATE



WILLO SWERIGE AB  
 BOX 3024 350 33 VÄXJÖ 04-70-727600  
 E1 STANDARD  
 KRETSSCHEMA, YTTRE FÖRBINDNINGAR

JOB NUMBER	1646	DRAWING NUMBER	1646
DESIGNED BY	JSn	DRAWN BY	JSn
DATE	2003-11-12	REV.	A
		CONT. SHEET	3